



***User's
Manual***

Built-In Electric Hob

HSP60W - HSP60X

To request a service call Tel. 01759 487830



To request a service call Tel. 01759 487830

CONTENTS

General warranty conditions
Installation
Operation
Maintenance and cleaning
Technical specifications

Attention

- Carefully read the user's manual before use and installation of the appliance.
- Keep the user's manual for future use.
- This appliance is not designed for industrial or laboratory use. Use this appliance only for its intended purpose.
- During use the hotplates becomes hot. Care should be taken to avoid touching the hotplates.
- Cleaning: The hob must be switched off before cleaning.
- This appliance must be installed in accordance with british standards.

THESE INSTRUCTIONS MUST BE FOLLOWED:

Remove all packing materials from the appliance and check for transportation damage.

In case of damage, do not operate the appliance and contact your authorised service provider.

Keep children away from all packaging, which may cause danger.

Prior to installation, ensure that the mains voltage is compatible with the appliance.

This appliance must not be used to heat a room.

This appliance must be installed and connected in accordance with current installation regulations.

Particular attention should be given to the relevant requirements regarding ventilation.

The use of cooking appliances results in the production of heat and moisture in the room in which it is installed. Ensure that the kitchen is well ventilated: keep natural ventilation holes open or install a mechanical ventilation device (mechanical extractor hood).

- Repair of the appliance due to the effects of a lack of cleaning such as dirt, mould, grease, spillages and odours or due to the effects of limescale.
- Any blockages to pump or filter in washing machines and dish washers.
- Punctured evaporators and lack of cleaning (e.g.. blocked gas jets)
- Any parts which are fitted to the product which are not original manufacturer's parts
- Operation at incorrect voltage.
- No Fault Found.
- Scratches and chips to ceramic hob glass surface resulting in the use of inappropriate cooking utensils.
- Noise, vibration or steam resulting in the operation of the appliance. This includes steam from washer, dryer, dishwasher and ovens, running of oven fans, drain pumps.
- Being used in a non-domestic environment, second hand, or those used by several people in communal areas. A service charge could be made if a fault is not a mechanical or electrical manufacturing fault.

Disclaimer

- The manufacturer will not be held responsible for any damages resulting from inappropriate usage of the appliance.
- The Guarantee is valid in the United Kingdom and the Republic of Ireland only.
- The Guarantee is non-transferable and only relates to the original purchaser of this appliance.
- Where deemed necessary by Haden for an appliance to be exchanged within the guarantee period, the new appliance will be covered by the original guarantee period and will not be subject to a new guarantee.
- Haden reserve the right to inspect the appliance before exchange/replacement can take place.
- Haden disclaims any liability for consequential loss or damage.
- This Guarantee does not in any way diminish your statutory or legal rights.

Manufacturer

HADEN
Sabichi Homewares Limited
Sabichi House
5 Wandsworth Road,
Perivale,
Middlesex
UB6 7JD

Service Hotline: 01759 487830
Email: admin@hadenwarranty.co.uk

To request a service call Tel. 01759 487830

Prolonged intensive use of the appliance may call for additional ventilation, for example opening of a window, or increasing the level of mechanical ventilation where present.

This appliance is not intended for use by people (including children) with reduced physical, sensory or mental capabilities, or lack of experience and knowledge, unless it is under supervision or having been given instructions concerning the use of the appliance by a person responsible for their safety.

Children should be supervised to ensure that they do not play with the appliance.

In the case that the power cable must be replaced, the replacement must be made **ONLY** by, an authorised service person.

Installation work must be performed in accordance with national wiring standards, by authorised service personnel **ONLY**.

INSTALLATION

- This appliance must be installed in full accordance with national standards and regulations, please refer to national and local instructions.
- This appliance must be installed on a level surface to prevent spillage.
- Install the appliance away from inflammable materials.
- Make sure that the main voltage matches the details on the rating plate.
- Before connecting this appliance ensure that all knobs are set to the "O" position.

When you use the appliance for the first time a temporary smell and form of smoke will occur, this is due to the protective grease on the hotplates, This is normal.

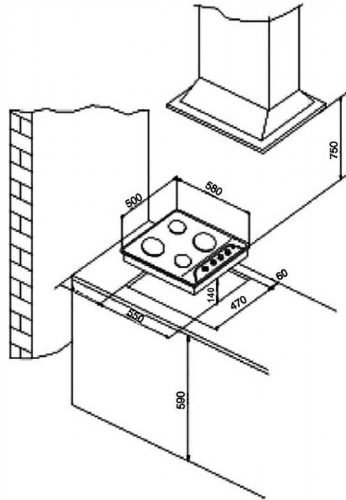
Following the first use of the appliance, the smell will go away as the hotplates will be free from the protective grease layer.

During this operation, ensure that the room is well ventilated.

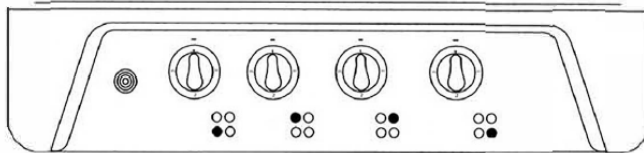
Once you are sure that your hob has totally cooled down, clean the hob by wiping it with a damp cloth or sponge.

To request a service call Tel. 01759 487830

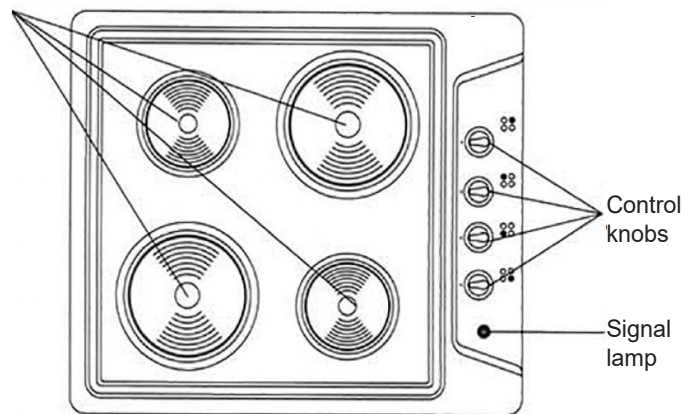
INSTALLATION



CONTROL PANEL



Electric cooking plates



To request a service call Tel. 01759 487830

Product Guarantee information:

Your Haden product is covered by Guarantee for 24 months from the date of the original purchase. Please ensure you register your product and keep your receipt (proof of purchase) and serial number in a safe place.

You can register your Haden product by calling 01759 487830

What is covered?

- Electrical and mechanical faults deriving from faulty materials defective components or a manufacturing defect.
 - Replacement functional parts.
 - Labour costs of an approved Haden engineer.
- Your Haden Guarantee covers domestic use at residential addresses and is subject to the following conditions.

Guarantee exclusions:

- Transit / delivery damage or cold weather damage.
 - Incorrect installation:
- Please ensure that your Haden appliance has been correctly and safely connected to mains supplied electricity, gas and water and drainage as appropriate and in accordance with the instruction manual. Gas appliances must be properly installed by a qualified Gas Safe (or BORD GAIS) installer. LPG conversions will be covered only if a copy of the necessary certification is provided at the time of registration by a qualified Gas Safe (or BORD GAIS) installer. We recommend that all electric cooking products, washing machines and dishwashers are installed by a qualified plumber / electrical appliance installer.
- Repair of, or interference with, the product by any person not authorised by the manufacturer to carry out service.
 - Improper use or abuse.
 - Accidental damage.
 - Reversal of door or door handles on cooling appliances.
 - Repair or replacement of any cosmetic or consumable parts such as bulbs, plugs, fuses, cables, filters and attachments, control knobs, flaps, container lids, handles, glass and wire shelves, rubber hoses, plastic door shelves and any accessories for example Oven baking trays and shelves. These include any parts which have become worn, discoloured or damaged, including damage by incorrect use or cleaning.

To request a service call Tel. 01759 487830

TECHNICAL SPECIFICATIONS

Brand	HADEN
Models	HSP60W - HSP60X
Construction	BUILT-IN
Dimensions in millimeters	580 X 500 X 80
Voltage	220V / 240V A.C.
Total power	5000 watts
180mm Hotplate	1500 watts
180mm Hotplate	1500 watts
145mm Hotplate	1000 watts
145mm Hotplate	1000 watts

Brand		HADEN
Model		HSP60W HSP60X
Type of hob		Hot Plate
Number of cooking zones and/or areas	Nbr.	4
Heating technology		Electric
Ø Heating zone I	cm	18
Ø Heating zone II	cm	14,5
Ø Heating zone III	cm	14,5
Ø Heating zone IV	cm	18
Non circular heating zone I (LxB)	cm	
Non circular heating zone II (LxB)	cm	
Energy consumption Heating zone I per kg	Wh/kg	193,9
Energy consumption Heating zone II per kg	Wh/kg	193,4
Energy consumption Heating zone III per kg	Wh/kg	193,6
Energy consumption Heating zone IV per kg	Wh/kg	194,0
Energy consumption for the hob per kg	Wh/kg	193,7

To request a service call Tel. 01759 487830

OPERATION and FUNCTIONS of ELECTRIC HOBS

Each electric hot plate, operates at -3- positions;

1. slow cooking,
2. normal cooking,
3. cooking with boiling,

The desired level will be automatically maintained within the selected position, the signal lamp will indicate the operation of the hot plates.



- Only use pots and pans for electrical stoves with a flawless, even bottom and an appropriate diameter (heat-proof glass, crockery or china can also be used). You can also use Pyrex especially for this purpose. If the bottom of the pot is uneven or too small, energy will be wasted, and the maximum heat cannot be achieved.
- The cooking surface and the bottom of the pot must always be clean and dry. Do not use any cooking pots consisting of plastic, china, enamel or aluminium foil.
- If any object made of plastic, aluminium foil, sugar or dishes containing sugar, should inadvertently happen to melt on the hot ceramic hob, remove from the cooking zone immediately and carefully use scraper to clean the hob.
- Pyrex can be used only when it is adjoined perfectly to the size of ceramic hob. If not Pyrex can be broken due to high temperature.
- For cleaning, it is imperative that NO SCRATCH-PRODUCING sponges, scouring powders or chemically aggressive cleaning agents like cleansing sprays or stain removers are used.
- Do not scratch the glass plate and or hot plates with pointed or sharp objects.
- The heating zones are regulated through the control knobs on the control panel of the appliance, which enables varying the heat from just keeping warm to the maximum temperature. In order to obtain maximum efficiency and cooking economy, choose the convenient hot plate or heating zone for the size of your cooking pans and do not forget to switch back to position "O" when cooking is completed!
- Turn the appliance off in time, so you can save energy.
- * Special instructions for Glass plates (vitro ceramic hobs);
- Never scratch the glass plates with pointed and or sharp objects!
- The glass plates can be broken, in the case of a falling object, landing on the surface!
- The residual heat indicators on the front part of the cooking surface point to there still being a risk of burning but also to residual heat, which can be used for keeping dishes warm.
- Special products (cleaning paste) for cleaning of glass plates (ceramic hobs) can be found on the market.

To request a service call Tel. 01759 487830

Maintenance and cleaning

- Disconnect the appliance from the mains power before maintenance and cleaning.
- Please wait until the appliance completely cools down.
- The hob must only be cleaned with a damp cloth or sponge.
- Never use abrasive powder.
- Do not use harsh abrasive cleaners or sharp metal scrapers to clean the hob, as they can scratch the surface.
- Steam cleaners must not be used for cleaning or any other purpose.
- Enamelled parts can be cleaned with soapy water and a soft clean cloth.
- In order to prevent damage do not scrape dirt off the control panel with sharp tools that may scratch and cause damage.

To extend the economical life of your appliance, keep your hob clean and dry. Any spillage should be removed from the hob surface once the hob has cooled down

Particularly, pay attention not to pour water on the appliance during operation, and always avoid contact with acid or alkaline containing substances, such as vinegar, lemon, juice, salt etc. if this occurs, wipe and clean immediately paying attention to the hot parts of the appliance

To request a service call Tel. 01759 487830

GENERAL WARRANTY CONDITIONS:

This appliance is under warranty covering only the replacement of the defective parts and free of charge repair during the period of the warranty. Please keep your receipt to present to our Authorised Service Provider before a repair can be booked.

The connection and installation of the appliance can only be carried out by authorised service personnel.

This appliance must be grounded.

Problems arising due to improper installation are not covered by the warranty. Unauthorised repair or modification of the appliance invalidates the warranty.

Information concerning disposal

Disposal of packaging

The packaging protects your appliance from damage during transit. All utilised materials are environmentally safe and recyclable. Please help us by disposing of the packaging in an environmentally friendly manner. Please ask your dealer or enquire at your local authority about current means of disposal.

Disposal of your old appliance



Old appliances are not worthless rubbish! Valuable raw materials can be reclaimed by recycling old appliances.

This appliance is identified according to the European guideline 2012/19/EU on waste electrical and electronic equipment-WEEE. The directive specifies the framework for an EU-wide valid return and re-use of old appliances. Compliant with WEEE Regulations.

Connection

The specification and type of power cord to be used with this appliance must be according to current UK installation regulations.

Your installer will advise and/or supply this.

To request a service call Tel. 01759 487830